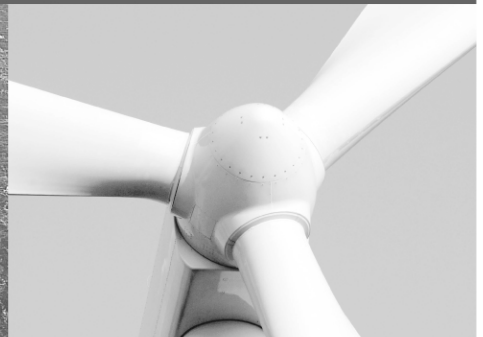




-power in control



DATA SHEET



Running hours counters, Type HC 48

- For AC or DC measuring voltage
- AC: Synchronous motor, DC: Step motor
- Standard IP40. Special version IP65
- In DIN size case, 48 × 48 mm, aluminium clamp mounting
- Adapter frames: 55 × 55 mm, 72 × 72 mm



DEIF A/S · Frisenborgvej 33 · DK-7800 Skive
Tel.: +45 9614 9614 · Fax: +45 9614 9615
info@deif.com · www.deif.com

Document no.: 4921210090G

Application

Hour meters HC48 are designed for the determination and monitoring of operating time, warranty period and maintenance intervals on electrically driven machines and devices, mainly in mechanical processing, woodworking, textile and paper industry, on central heating boilers, electrical furnaces, power drives and rectifiers, and so on.

They are available in a variety of mounting techniques, for all common voltages and with a mounting depth of only 32 mm. As a special version, they offer a fully sealed plastic housing.

Hour meters are connected in parallel to the control circuit behind the start gear, thus working only during the operation of a machine or device.

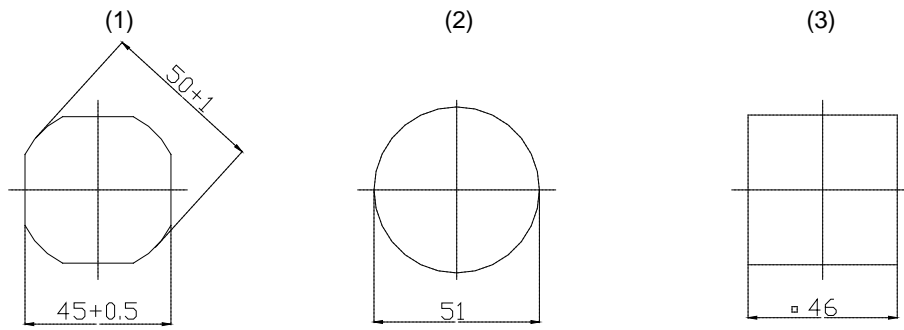
The hour meters cover a time range from 0 to 99,999.99 h (AC) resp. 999,999.9 (DC). They restart automatically at 0 when leaving the range limit. There is no separate reset facility.

Technical specifications

	AC voltages	DC voltages
Connection	Combined - flat pins 6.3 × 0.8 mm with screw terminals Simple - flat pins 6.3 × 0.8 mm	
Supply voltage	24 V, 110 V, 230 V, 400 V (±10 %)	10-80 V, 110 V (±10 %)
Supply consumption	< 2 VA	
Mains frequency	50 Hz, 60 Hz	
Motor	Synchronous motor	Step motor
Protection class	IP40 front side	
Operating temp. range	-25 °C to +70 °C	-20 °C to +55 °C
Reading accuracy	1/100 hour (36 sec.)	1/10 hour (6 min.)
Counting range	99,999.99 hours	999,999.9 hours
Number of digits	5 integers, 2 decimals	6 integers, 1 decimal
Digit size	4 mm	
Digit colour	Integers (white), decimals (red)	
Housing colour	Black	
Mounting	Aluminium clamp A, snap fastener F, DIN-rail D. When ordering mounting type aluminium clamp A or DIN-rail D, it is possible to dismount the aluminium clamp or the adaptor for DIN-rail, thus obtaining mounting type F. Please note that the panel cutout must be (1) for this application	
Front dimensions	48 × 48 mm	
Adapter frames	55 × 55 mm, 72 × 72 mm	
Special versions	IP65 (only mounting aluminium clamp A and no frame)	
EMC	EN50081-1 and EN50082-2	

Dimensions

All dimensions in mm



HC 48 Panel cutout

Weight: approx. 0.050 kg

Mounting instructions

Mounting A

x (mm)	y (mm)	Mounting hole
48 x 48	6	1
55 x 55	7	1, 2 or 3
72 x 72	7	1, 2 or 3

Mounting F

x (mm)	y (mm)	Mounting hole
48 x 48 mm	6	1

Mounting D

Available variants

Item no.	Variant no.	Variant description
2961910010	01	HC 48 AC voltage - panel or DIN rail mounting IP40
2961910010	02	HC 48 DC voltage - panel or DIN rail mounting IP40
2961910010	03	HC 48 AC voltage - panel or DIN rail mounting IP65
2961910010	04	HC 48 DC voltage - panel or DIN rail mounting IP65

Order specifications

Variants:

Mandatory information						Additional options to the standard variant
Item no.	Type	Variant no.	Measuring voltage	Frequency	Mounting	Option

Example:

Mandatory information						Additional options to the standard variant
Item no.	Type	Variant no.	Measuring voltage	Frequency	Mounting	Option
2961910010-01	HC 48	01	230 V AC	50	D	No options available
2961910010-04	HC 48	04	10-80 V DC	-	A	No options available

Disclaimer

DEIF A/S reserves the right to change any of the contents of this document without prior notice.

The English version of this document always contains the most recent and up-to-date information about the product. DEIF does not take responsibility for the accuracy of translations, and translations might not be updated at the same time as the English document. If there is any discrepancy, the English version prevails.

Due to our continuous development we reserve the right to supply equipment which may vary from the described.



DEIF A/S, Frisenborgvej 33
DK-7800 Skive, Denmark

Tel.: +45 9614 9614, Fax: +45 9614 9615
E-mail: deif@deif.com, URL: www.deif.com

