



## TECHNICAL DOCUMENTATION



## Measuring current transformers, type ASR/ASK

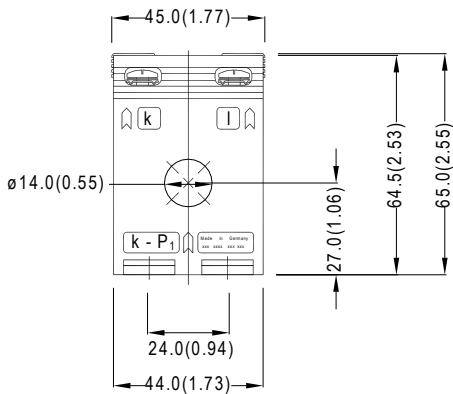
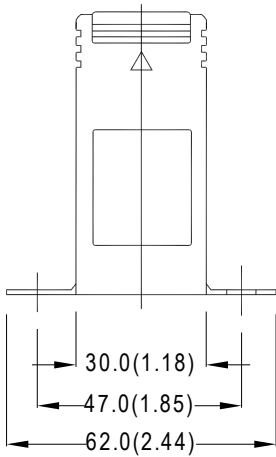
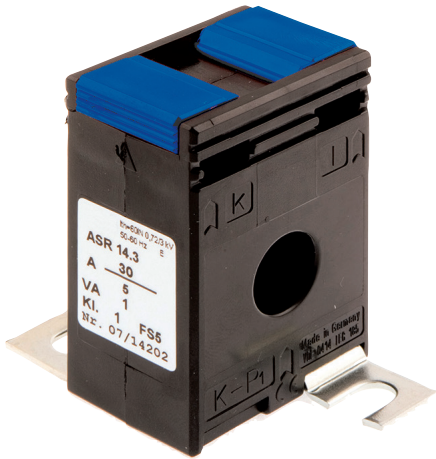
# Data sheet

Frequency	50/60 Hz (16 2/3 to 400 Hz on request)
Nominal Voltage	≤ 720 V AC ≤ 1200 V AC for ASK 165.5, 205.5
Isolation Class	E
Test Voltage	3000 V, 1 min, 50 Hz (Nominal Voltage ≤ 720 V) 6000 V, 1 min, 50 Hz (Nominal Voltage ≤ 1200 V)
Thermal Continuous Thermal Current	$I_{cth} = 1.0 \times I_n$ $I_{cth} = 1.2 \times I_n$ for ASK 165.5, 205.5
Rated Short-Time Thermal Current	$I_{th} = 60 \times I_n$ , 1 sec (max. 100 kA) for ASK, ASR, KBU
Rated Dynamic Current	$I_{dyn} = 2.5 \times I_{th}$
Instrument Security Factor	FS 5 to 15 (see product label for specific value)
Operating Temperature	-5°C to 50°C
Storage Temperature	-25°C to 70°C
Standard References	IEC / DIN EN 61869/1+2 DIN 42600/1+2

# Overview

	Type	Current range (in mm)	Primary conductor (in mm)	Round conductor (in mm)	Transformer width (in mm)	Page
ASR	ASR 14.3	30 - 100 A	-	14	45	3
	ASR 20.3	50 - 300 A	-	21	45	4
	ASR 201.3	125 - 200 A	-	21	44	5
	ASR 21.3	150 - 500 A	-	22,8	49,5	6
	ASR 21.5	50 - 400 A	-	21,2	50	7
	ASR 22.3	50 - 300 A	-	22,5	61	8
ASK	ASK 21.3	60 - 500 A	20x10	19,2	61	9
	ASK 31.3	50 - 750 A	30x10 / 2x20x10	26	61	10
	ASK 31.4	75 - 750 A	30x10 / 2x20x10	28	61	11
	ASK 31.5	40 - 750 A	30x10 / 2x20x10	28	61	12
	ASK 31.6	40 - 600 A	30x10 / 20x13	23	95	13
	ASK 41.3	150 - 750 A	40x12 / 32x18	26	61	14
	ASK 41.4	50 - 1000 A	40x10 / 2x30x5	32	71	15
	ASK 41.5	800 - 1000 A	2x30x5 / 40x10	32	71	16
	ASK 41.6	400 A	50x10 / 30x15	32	95	17
	ASK 51.4	200 - 1250 A	40x12 / 2x40x10	44	86	18
	ASK 61.4	250 - 1600 A	63x10 / 2x50x10	44	96	19
	ASK 63.4	300 - 1500 A	60x30 / 50x40	44	96	20
	ASK 63.6	300 - 1600 A	60x30	30	88	21
	ASK 81.4	500 - 2000 A	80x10 / 2x60x10	55	120	22
	ASK 83.4	1000 - 2000 A	84x34	34	96	23
	ASK 101.4	600 - 2000 A	100x10 / 2x80x10	70	130	25
	ASK 103.3	800 - 3000 A	2x100x10 / 3x80x10	85	172	26
	ASK 105.6	1000 - 3000 A	100x55	55	129	27
	ASK 105.6N	2500 - 4000 A	100x55	55	129	28
	ASK 127.6	1250 - 5000 A	120x70	70	205	29
	ASK 128.4	2000 - 2500 A	128x38	38	100	30
	ASK 129.10	6000 - 7500 A	120x90	90	250	31
	ASK 130.5	2000 - 3200 A	130x30	30	180	32
	ASK 205.3	200 - 400 A	20x5	17,5	49,5	34
	ASK 231.5	250 - 500 A	30x10	28	50	35
	ASK 318.3	300 - 600 A	31x18	26	61	36
	ASK 412.4	50 - 800 A	40x12 / 30x15	30,5	71	37
	ASK 421.4	125 A	20x10	20	71	38
	ASK 541.4	80 - 1000 A	40x10 / 2x30x5	32	86	39
	ASK 561.4	300 - 1250 A	60x10 / 2x50x10	44	86	40

\* In stock



## -/5 amp secondary

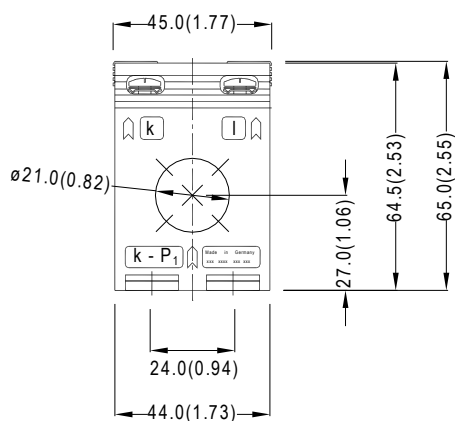
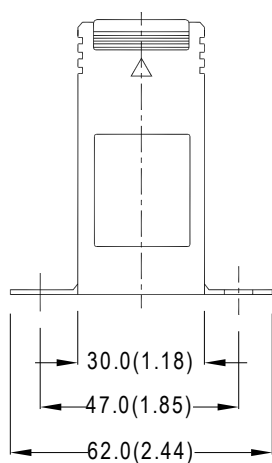
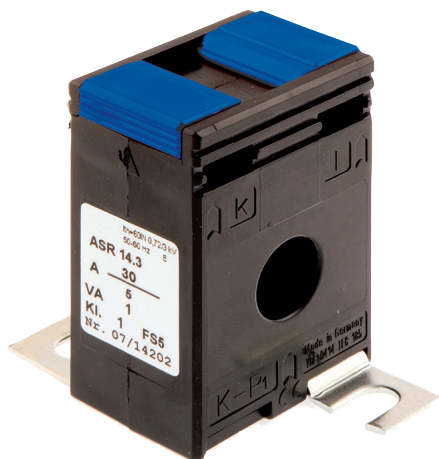
Primary current A	Burden VA	Accuracy class
30	* 1.0 *	3
40	* 1.0 *	1
50	* 1.0 *	1
	* 1.5 *	1
60	* 1.5 *	1
75	* 1.5 *	1
100	2.5	1

## -/1 amp secondary

Primary current A	Burden VA	Accuracy class
40	1.0	1
	1.0 (400HZ)	1
60	1.5	1

Round conductor	Ø 14mm
Weight	0.180-0.240 kg (0.40-0.53lbs)
Security factor	FS 5
DIN rail mounting	Item number: 1213990005
Sealed shutter	Not available

\* In stock



## -/5 amp secondary

Primary current A	Burden VA	Accuracy class
50	1.0	1
60	1.0	1
	1.25	1
75	1.25	1
	1.5	1
80	* 1.5 *	1
100	* 1.5 *	1
	2.5	1
125	1.5	0.5
	1.5	1
	2.5	1
150	1.5	1
	2.5	1
	3.75	1
200	1.5	1
	2.5	1
	3.75	1
250	2.5	1
300	2.5	1
	* 5 *	1

## -/1 amp secondary

Primary current A	Burden VA	Accuracy class
50	1.0	1
60	1.0	1
	1.25	1
80	1.5	1
	1.25	1
100	1.5	1
	2.5	1
125	1.5	1
150	1.5	1
	2.5	1
200	1.5	1
	2.5	1
250	2.5	1

Round conductor	Ø 21mm
Weight	0.120-0.190kg (0.26-0.42lbs)
Security factor	FS 5
DIN rail mounting	Item number: 1213990005
Sealed shutter	Not available

\* In stock

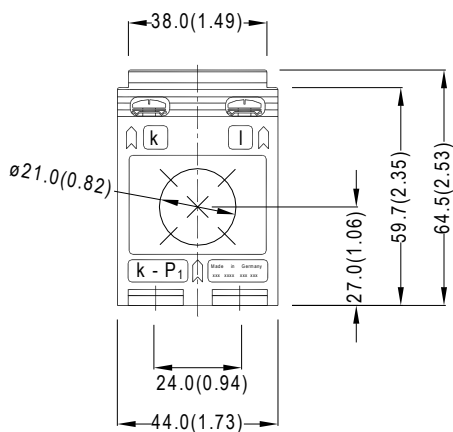
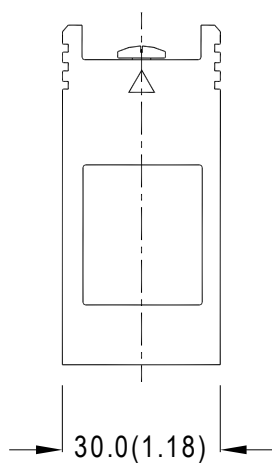


## -/5 amp secondary

Primary current A	Burden VA	Accuracy class
200	2.5	1

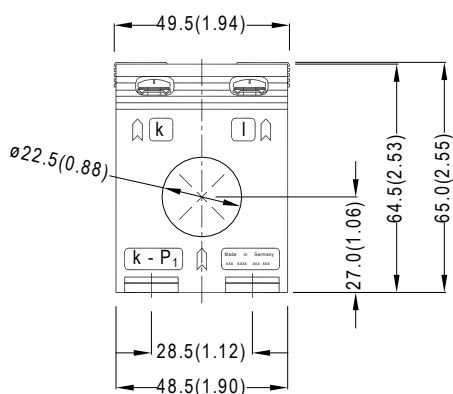
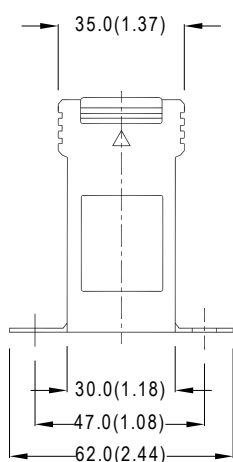
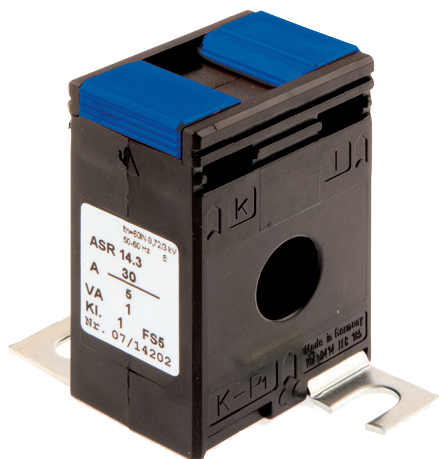
## -/1 amp secondary

Primary current A	Burden VA	Accuracy class
125	1.5	1
150	1.5	1



Round conductor	Ø 21mm
Weight	0.120-0.190kg (0.26-0.42lbs)
Security factor	FS 5
DIN rail mounting	Item number: 1213990005
Sealed shutter	Not available

\* In stock



## -/5 amp secondary

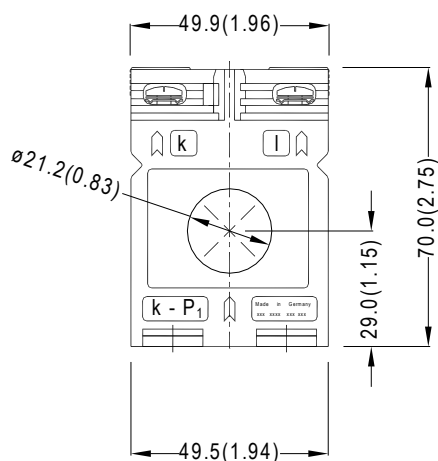
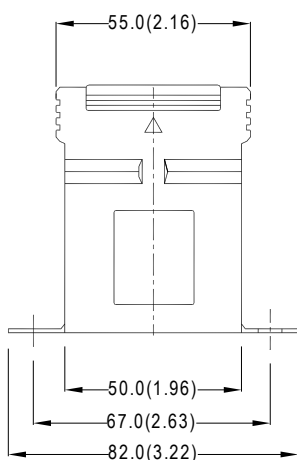
Primary current A	Burden VA	Accuracy class
150	* 1.5 *	1
200	2.5	1
250	1.5	1
300	1.5	1
500	2.5	1

## -/1 amp secondary

Primary current A	Burden VA	Accuracy class
300	2.5	1
	3.75	1

Round conductor	Ø 22.8mm
Weight	0.150-0.300kg (0.33-0.66lbs)
Security factor	FS 5
DIN rail mounting	Item number: 1213990006
Sealed shutter	Not available

\* In stock



## -/5 amp secondary

Primary current A	Burden VA	Accuracy class
50	1.5	1
75	* 2.5 *	1
80	2.5	1
100	2.5	1
	5	1
125	* 5 *	1
150	2.5	0,5
	2.5	1
200	2.5	1
	5	1
300	5	1

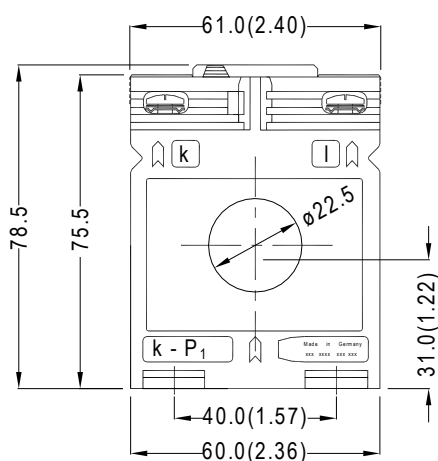
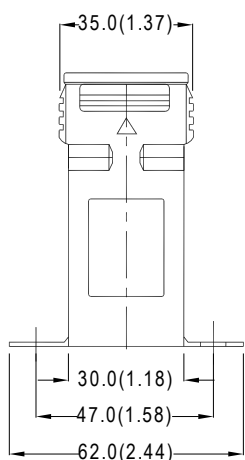
## -/1 amp secondary

Primary current A	Burden VA	Accuracy class
75	3.75	1
80	2.5	1
100	5	1
125	5	1
150	5	1
200	5	0,5
400	5	0,5

Round conductor	Ø 21,2mm
Weight	0.210-0.410kg (0.46-0.90lbs)
Security factor	FS 5
DIN rail mounting	Not available
Sealed shutter	Not available



\* In stock



## -/5 amp secondary

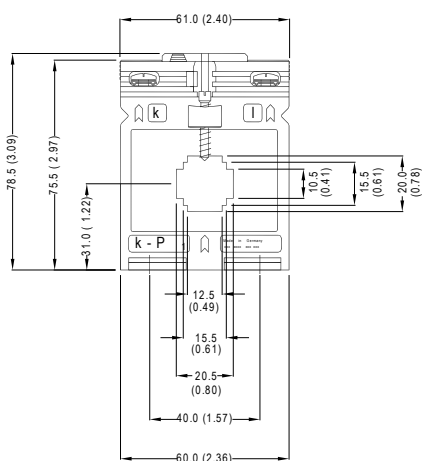
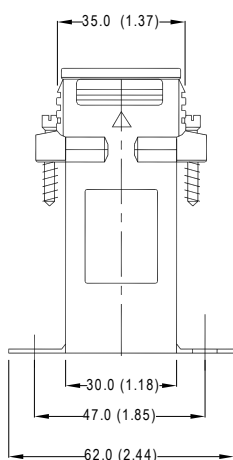
Primary current A	Burden VA	Accuracy class
50	1	1
60	* 1.5 *	1
75	* 2.5 *	1
80	* 2.5 *	1
100	1.5	1
	2.5	0,5
	2.5	1
	* 3.75 *	1
150	1.5	1
	* 5 *	1
200	5	0,2S
	* 5 *	1
	* 10 *	1
250	2.5	1
	5	1
	10	1
300	10	1

## -/1 amp secondary

Primary current A	Burden VA	Accuracy class
50	1	1
75	* 2.5 *	1
100	* 3.75 *	1
150	* 5 *	1
200	5	1

Round conductor	Ø 22.5mm
Weight	0.170-0.500kg (0.37-1.10lbs)
Security factor	FS 5
DIN rail mounting	Item number: 1213990001
Sealed shutter	Type: 59040

\* In stock



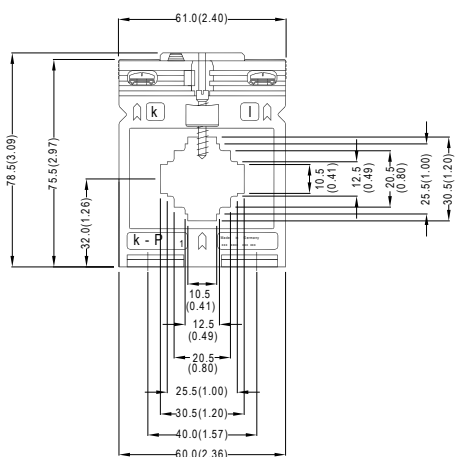
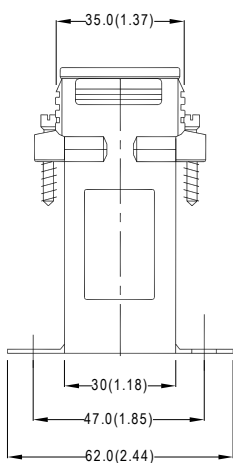
## -/5 amp secondary

Primary current A	Burden VA	Accuracy class
75	1.5	1
100	2.5	1
	* 3.75 *	1
150	1.5	1
	1.5	0,5
	2.5	1
	* 5 *	1
200	2.5	1
	5	1
250	5	1
300	5	1
	10	1
400	5	0,5
	5	1
	10	0,5
500	10	0,5
	10	1

## -/1 amp secondary

Primary current A	Burden VA	Accuracy class
60	1	1
100	1.5	1
150	5	1
250	5	1
	10	1

Primary conductor	20 × 10mm
Round conductor	Ø 19.2mm
Weight	0.190-0.380kg (0.42-0.84lbs)
Security factor	FS 5
DIN rail mounting	Item number: 1213990001
Sealed shutter	Type: 59040



## -/5 amp secondary

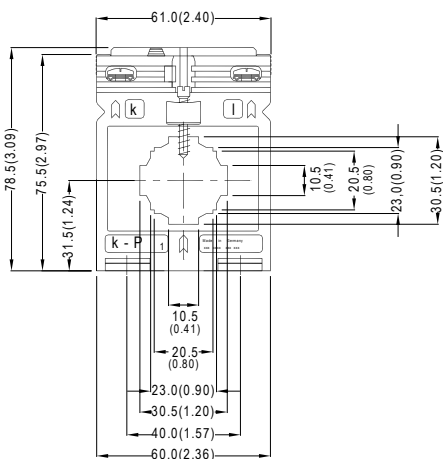
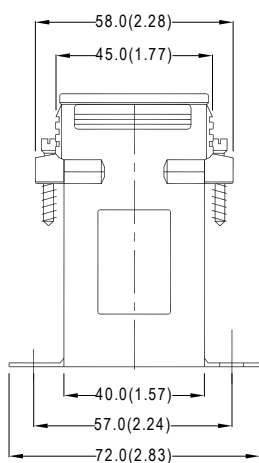
Primary current A	Burden VA	Accuracy class
50	1	1
60	1	1
75	* 1.5 *	1
80	* 2.5 *	1
100	* 2.5 *	1
	2.5	0,5
	1.5	1
150	* 2.5 *	1
	2.5	0,5
	1.5	1
200	1.5	1
	* 5 *	1
	2.5	1
250	1.5	0,5
	2.5	0,2S
	1.5	1
	* 5 *	1
	2.5	1
300	2.5	0,5
	1.5	1
	5	1
400	* 1.5 *	1
	2.5	0,5
	2.5	1
	5	1
500	* 10 *	1
	2.5	1
	5	0,5
	5	1
600	* 10 *	1
	2.5	0,5
	2.5	1
	5	1
750	10	0,5
	10	1
	2.5	1
	5	1
750	* 10 *	1

## -/1 amp secondary

Primary current A	Burden VA	Accuracy class
100	* 2.5 *	1
150	* 2.5 *	1
200	2.5	1
	5	1
250	* 5 *	1
300	1.5	0,5
	5	1
	* 10 *	1
400	* 5 *	1
	10	1
500	* 10 *	1
600	* 5 *	1
	10	1
750	5	1
	* 10 *	1

Primary conductor	30 × 10mm 2 × 20 × 10mm
Round conductor	Ø 26mm
Weight	0.200-1.100kg (0.44-2.43lbs)
Security factor	FS 5
DIN rail mounting	Item number: 1213990001
Sealed shutter	Type: 59040

\* In stock



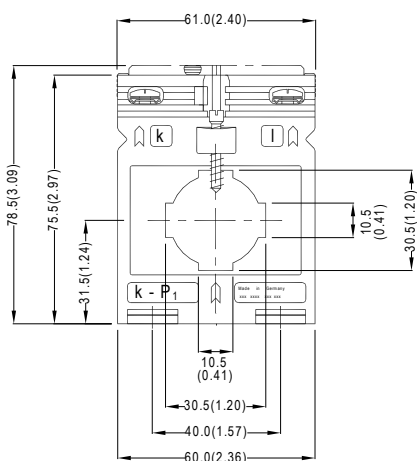
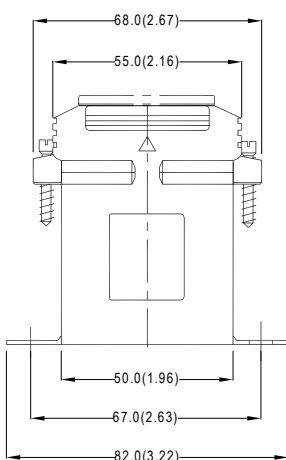
## -/5 amp secondary

Primary current A	Burden VA	Accuracy class
75	1.5	1
100	2.5	1
	3.75	1
150	1.5	0,5
	2.5	1
	5	1
200	2.5	1
	5	0,2S
	7.5	1
250	2.5	1
	10	1
300	2.5	0,5
	2.5	1
	5	0,5
	5	1
	10	0,5
400	2.5	1
	10	1
500	2.5	1
	5	0,2S
600	5	0,5
	5	1
	10	1
750	15	1

## -/1 amp secondary

Primary current A	Burden VA	Accuracy class
75	1.5	1
100	1.5	1
250	5	0,2S
	5	1
300	10	1
500	10	1

Primary conductor	30 × 10mm 2 × 20 × 10mm
Round conductor	Ø 28mm
Weight	0.220-0.480kg (0.49-1.06lbs)
Security factor	FS 5
DIN rail mounting	Item number: 1213990002
Sealed shutter	Type: 59041



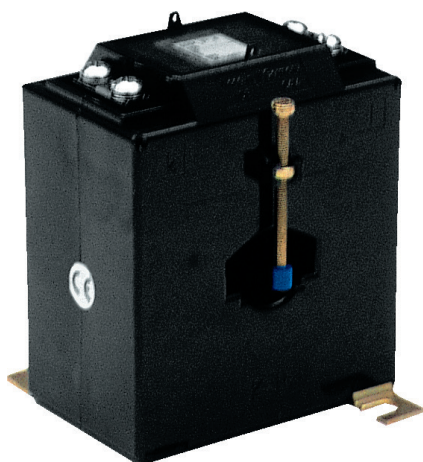
## -/5 amp secondary

Primary current A	Burden VA	Accuracy class
40	1	1
80	2.5	1
100	5	1
150	2.5	0,5
	5	0,5
	7.5	1
200	5	0,5
	5	1
	10	1
400	10	1
500	10	1
	15	1
600	5	1
	10	1

## -/1 amp secondary

Primary current A	Burden VA	Accuracy class
600	5	1
750	10	1

Primary conductor	30 × 10mm 2 × 20 × 10mm
Round conductor	Ø 28mm
Weight	0.240-0.520kg (0.53-1.15lbs)
Security factor	FS 5
DIN rail mounting	Item number: 1213990003
Sealed shutter	Type: 59041

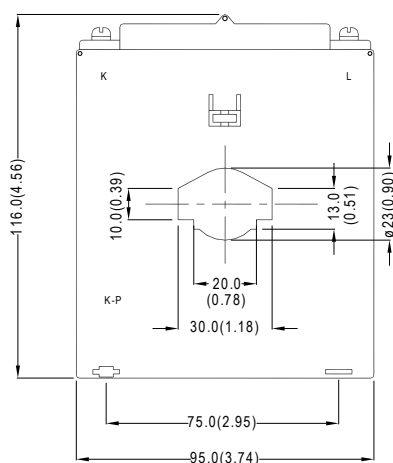
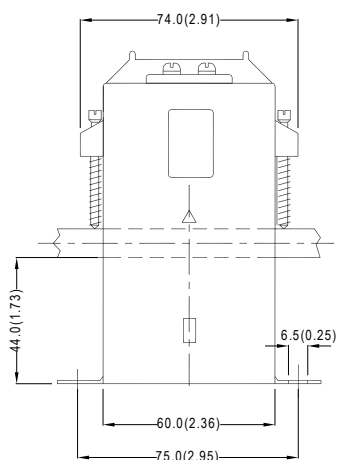


## -/5 amp secondary

Primary current A	Burden VA	Accuracy class
40	2.5	3
75	5	1
200	15	1
250	5	1
400	15	1
600	10	1

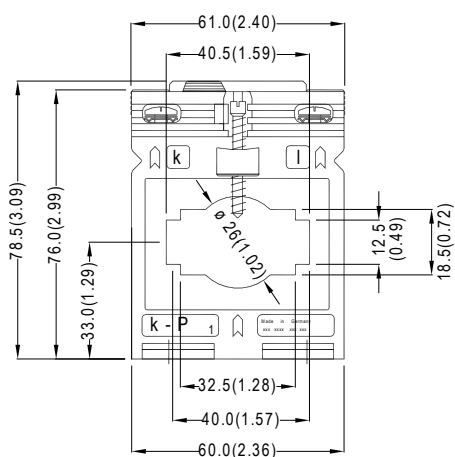
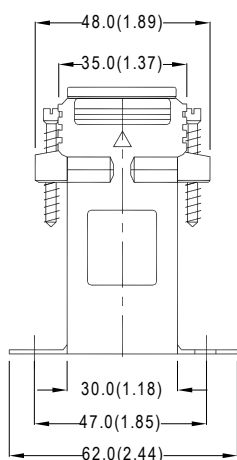
## -/1 amp secondary

Primary current A	Burden VA	Accuracy class
60	2.5	0,5



Primary conductor	30 × 10mm 20 × 13mm
Round conductor	Ø 23mm
Weight	0.310-1.900kg (0.68-4.19lbs)
Security factor	FS 5
DIN rail mounting	Not available
Sealed shutter	Type: 59044

\* In stock



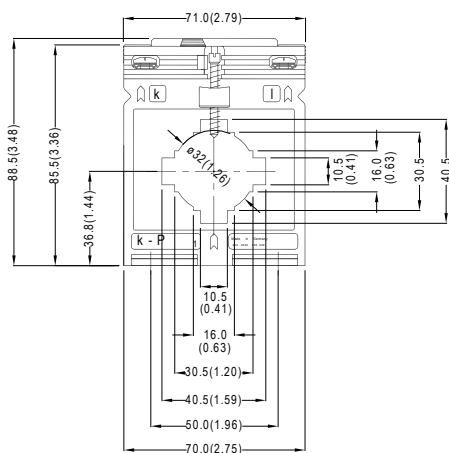
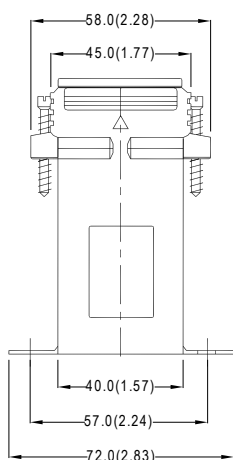
## -/5 amp secondary

Primary current A	Burden VA	Accuracy class
150	* 2.5 *	1
200	2.5	1
250	* 2.5 *	1
300	5	1
400	* 2.5 *	1
	5	1
500	5	1
600	5	1
750	10	1

## -/1 amp secondary

Primary current A	Burden VA	Accuracy class

Primary conductor	40 × 12mm 32 × 18mm
Round conductor	Ø 26mm
Weight	0.180-0.300kg (0.40-0.66lbs)
Security factor	FS 5
DIN rail mounting	Item number: 1213990001
Sealed shutter	Type: 59040



## -/5 amp secondary

Primary current A	Burden VA	Accuracy class
50	1.5	1
80	1.5	1
100	1.5	1
	* 3.75 *	1
150	1.5	0,2S
	1.5	1
	* 5 *	1
200	* 1.5 *	0,2S
	2.5	1
	5	0,5
	5	1
250	* 10 *	1
	* 2.5 *	0,2S
	2.5	1
	5	1
300	* 10 *	1
	* 2.5 *	0,2S
	5	0,2S
	5	0,5
400	5	1
	* 15 *	1
	2.5	1
	* 5 *	0,2S
	5	0,5
500	* 5 *	1
	10	0,5
	10	1
	* 15 *	1
	* 5 *	0,2S
600	10	1
	* 5 *	0,2S
	5	1
750	* 15 *	1
	5	1
	* 5 *	0,2S
800	10	1
	10	0,5
	15	1
	5	0,5
1000	10	1
	10	0,5
	15	1
	5	1

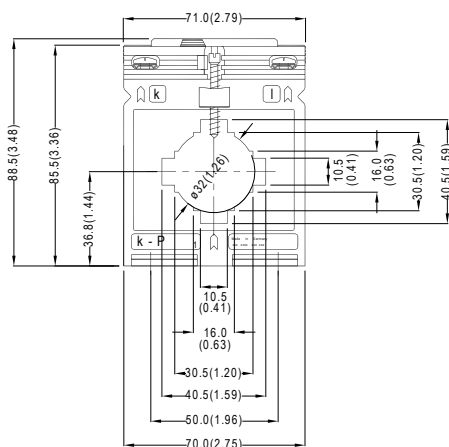
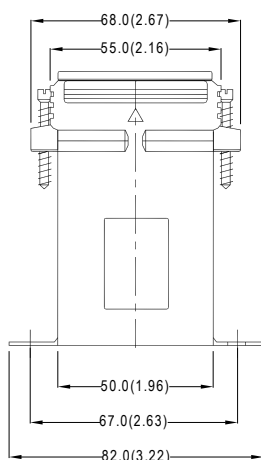
## -/1 amp secondary

Primary current A	Burden VA	Accuracy class
50	1.5	1
80	1.5	1
150	5	1
200	2.5	1
300	* 5 *	1
400	* 5 *	1
500	* 5 *	1
	15	1
600	* 5 *	1
	15	1
750	10	1
800	5	1
	* 15 *	1
1000	* 10 *	1

Primary conductor	40 × 10mm 2 × 30 × 5mm
Round conductor	Ø 32mm
Weight	0.240-0.800kg (0.53-1.76lbs)
Security factor	FS 5
DIN rail mounting	Item number: 1213990004
Sealed shutter	Type: 59041



\* In stock



## -/5 amp secondary

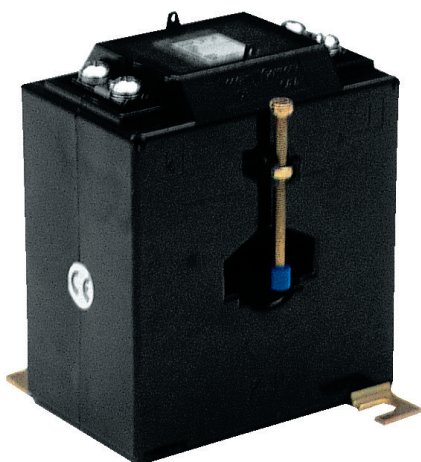
Primary current A	Burden VA	Accuracy class
800	5	1
	10	0,5
	10	1
1000	5	1
	15	1

## -/1 amp secondary

Primary current A	Burden VA	Accuracy class

Primary conductor	2 x 30 x 5mm 40 x 10mm
Round conductor	Ø 32mm
Weight	0.250-0.510kg (0.55-1.12lbs)
Security factor	FS 5
DIN rail mounting	Item number: 1213990004
Sealed shutter	Type: 59041

\* In stock

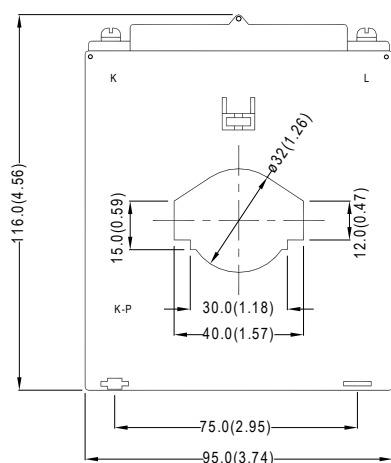
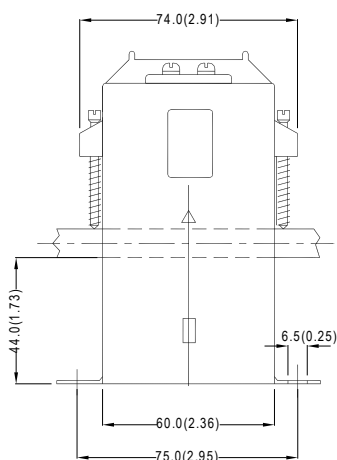


## -/5 amp secondary

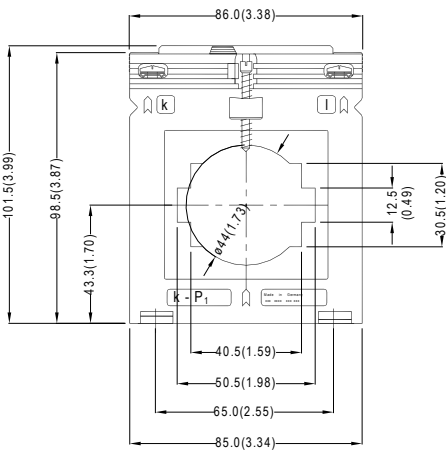
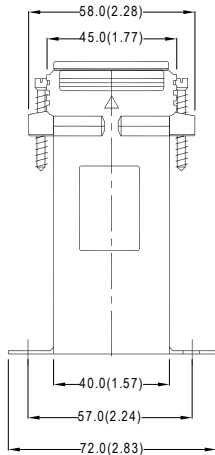
Primary current A	Burden VA	Accuracy class
400	15	1

## -/1 amp secondary

Primary current A	Burden VA	Accuracy class



Primary conductor	40 × 12mm 30 × 15mm
Round conductor	Ø 32mm
Weight	0.320-2.000kg (0.71-4.41lbs)
Security factor	FS 5
DIN rail mounting	Not available
Sealed shutter	Type: 59044



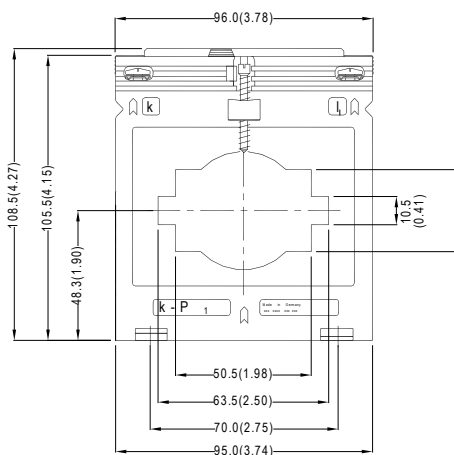
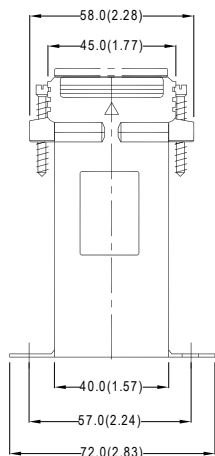
## -/5 amp secondary

Primary current A	Burden VA	Accuracy class
200	5	1
250	10	1
300	10	1
400	5	1
	10	0,5
500	10	1
	15	1
600	10	1
	15	1
750	15	1
800	5	1
	10	1
	15	0,5
	15	1
1000	5	1
	10	0,5
	10	1
	15	0,5
1200	15	1
	15	1
1250	10	0,5
	10	1
	15	0,5
	15	1

## -/1 amp secondary

Primary current A	Burden VA	Accuracy class
500	5	1
600	10	1
750	10	1
800	10	1
1000	5	0,5
	5	1
1200	10	1
	15	1

Primary conductor	50 × 10mm 2 × 40 × 10mm
Round conductor	Ø 44mm
Weight	0.260-0.720kg (0.57-1.59lbs)
Security factor	FS 5
DIN rail mounting	Not available
Sealed shutter	Type: 59042

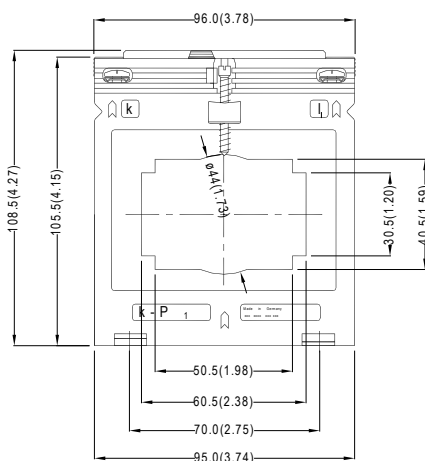
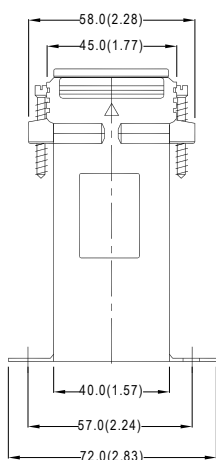


<b>-/5 amp secondary</b>		
Primary current A	Burden VA	Accuracy class
250	1.5	0,5
300	* 5 *	1
400	* 2.5 *	0,2S
	* 10 *	1
500	* 5 *	0,2S
	* 15 *	1
600	* 5 *	0,2S
	10	1
	* 15 *	1
750	* 5 *	0,2S
	10	1
	* 15 *	1
800	5	1
	10	0,5
	* 15 *	0,5
	* 15 *	1
1000	5	1
	* 5 *	0,2S
	10	1
1200	15	1
	* 5 *	0,2S
	15	0,5
1250	* 30 *	1
	5	0,2S
	5	0,5
	15	1
1500	* 30 *	1
	* 5 *	0,2S
	5	0,5
	5	1
	15	0,5
	15	1
1600	* 30 *	0,5
	* 30 *	1
	5	1
	10	0,5
1600	15	0,5
	15	1
	15	0,5
	1	1

<b>-/1 amp secondary</b>		
Primary current A	Burden VA	Accuracy class
400	5	1
500	10	1
600	10	1
750	* 10 *	1
800	* 10 *	1
1000	15	1
1200	* 10 *	1
1250	10	1
1500	10	1
	* 30 *	1

Primary conductor	63 × 10mm 2 × 50 × 10mm
Round conductor	Ø 44mm
Weight	0.300-0.630kg (0.66-1.39lbs)
Security factor	200A-1,500A = FS 5 1,600A = FS 10
DIN rail mounting	Not available
Sealed shutter	Type: 59042

\* In stock



## -/5 amp secondary

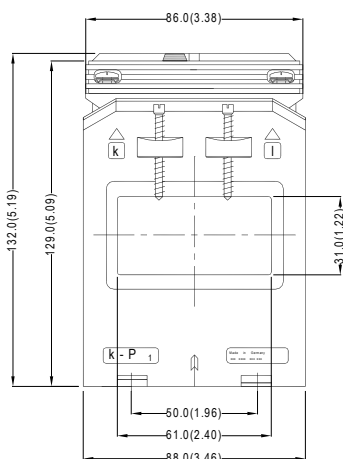
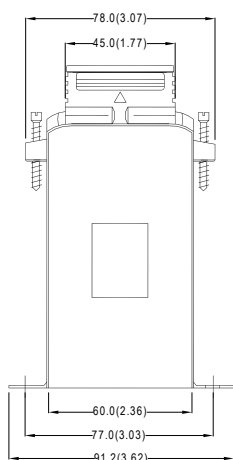
Primary current A	Burden VA	Accuracy class
300	2.5	1
400	5	1
600	15	1
750	10	1
800	10	1
1000	5	1
	10	0,5
	10	1
	15	1
1200	10	1
	15	1
1250	10	0,5
	10	1
1500	10	0,5
	15	1

## -/1 amp secondary

Primary current A	Burden VA	Accuracy class
1500	10	1

Primary conductor	60 × 30mm 50 × 40mm
Round conductor	Ø 44mm
Weight	0.300-0.800kg (0.66-1.76lbs)
Security factor	300A-1,500A = FS 5 1,600A-2,000A = FS 10
DIN rail mounting	Not available
Sealed shutter	Type: 59042

\* In stock



## -/5 amp secondary

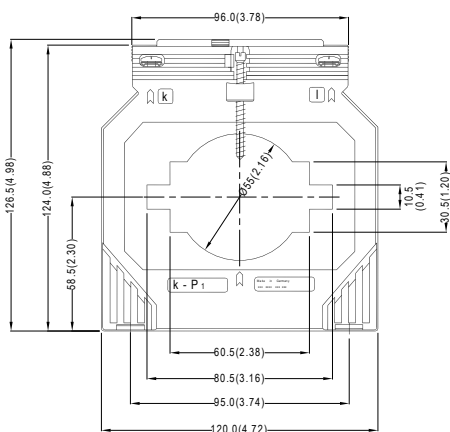
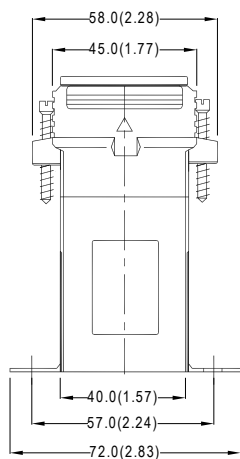
Primary current A	Burden VA	Accuracy class
1200	15	1
1250	10	1
1600	10	1
	15	1

## -/1 amp secondary

Primary current A	Burden VA	Accuracy class
300	10	1

Primary conductor	60 × 30mm
Round conductor	Ø 30mm
Weight	0.200-1.300kg (0.44-2.87lbs)
Security factor	200A-1,500A = FS 5 1,600A-2,000A = FS 10
DIN rail mounting	Not available
Sealed shutter	Type: 59042

\* In stock



## -/5 amp secondary

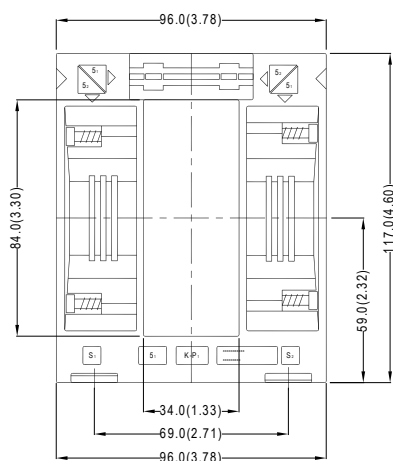
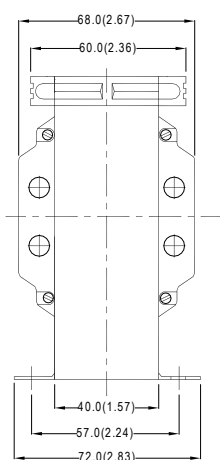
Primary current A	Burden VA	Accuracy class
500	* 10 *	1
600	2.5	1
	* 10 *	1
800	* 15 *	1
1000	10	0,5
	10	1
	15	1
	* 30 *	1
1200	10	1
	15	1
1250	5	1
	10	0,5
	10	0,2S
1500	5	0,2S
	10	1
	10	0,2S
	* 15 *	0,5
	15	1
1600	5	1
2000	10	0,5
	10	1
	* 15 *	0,5
	15	1
	30	1

## -/1 amp secondary

Primary current A	Burden VA	Accuracy class
1250	5	1
	10	1
1500	* 15 *	1
2000	15	1

Primary conductor	80 × 10mm 2 × 60 × 10
Round conductor	Ø 55mm
Weight	0.400-1.000kg (0.88-2.20lbs)
Security factor	400A-1,500A = FS 5 1,600A-2,000A = FS 10
DIN rail mounting	Not available
Sealed shutter	Type: 59042

\* In stock



## -/5 amp secondary

Primary current A	Burden VA	Accuracy class
1000	15	1
1200	15	1
1500	10	1
	15	1
2000	15	1

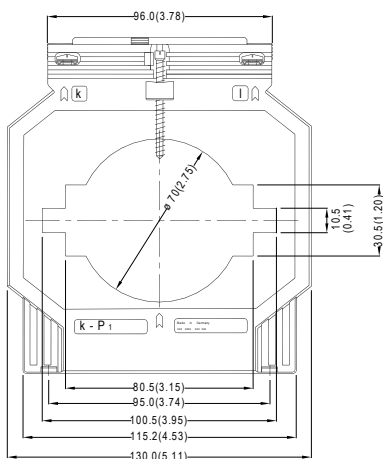
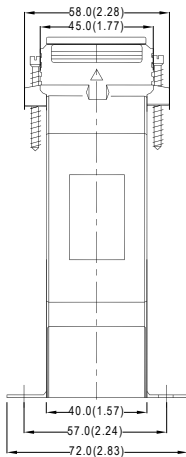
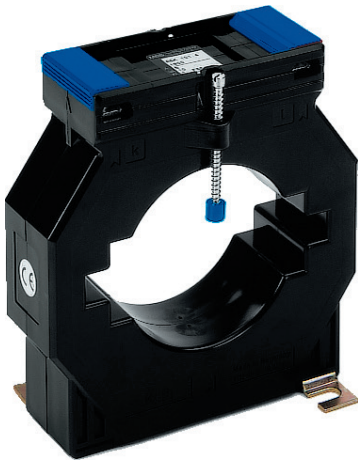
## -/1 amp secondary

Primary current A	Burden VA	Accuracy class

Primary conductor	83 × 34mm
Round conductor	Ø 34mm
Weight	0.400-0.850kg (0.88-1.87lbs)
Security factor	300A-1,500A = FS 5 1,600A-2,500A = FS 10
DIN rail mounting	Not available
Sealed shutter	Not available



\* In stock



## -/5 amp secondary

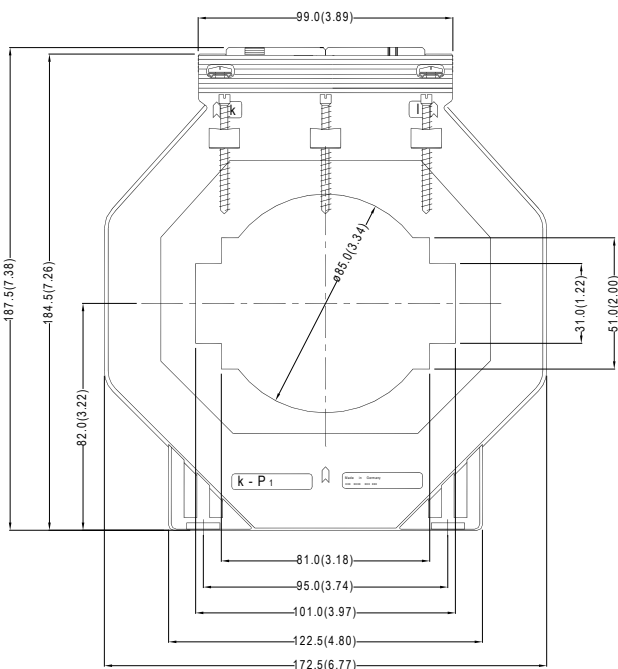
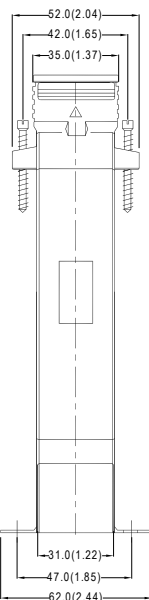
Primary current A	Burden VA	Accuracy class
600	5	1
1000	* 10 *	0,5
	10	1
1250	10	1
1500	* 15 *	0,5
	* 30 *	1
1600	10	1
	15	1
1800	10	1
2000	10	1
	* 15 *	0,5
	* 30 *	1

## -/1 amp secondary

Primary current A	Burden VA	Accuracy class
1800	15	1

Primary conductor	100 × 10mm 2 × 80 × 10mm
Round conductor	Ø 70mm
Weight	0.200-0.740kg (0.44-1.63lbs)
Security factor	500A-1,500A = FS 5 1,600A-2,500A = FS 10
DIN rail mounting	Not available
Sealed shutter	Type: 59042

\* In stock



## -/5 amp secondary

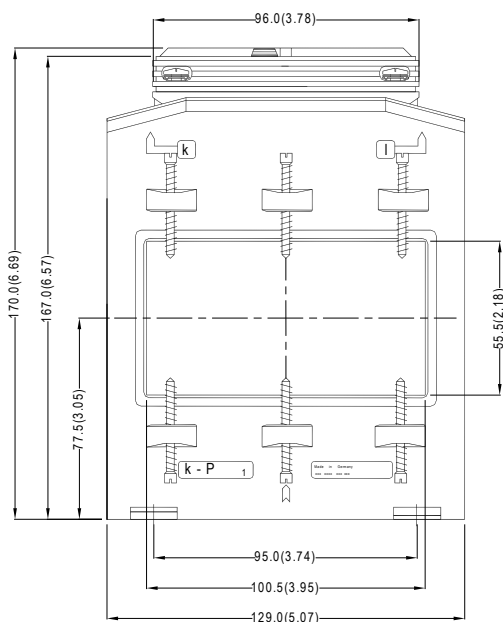
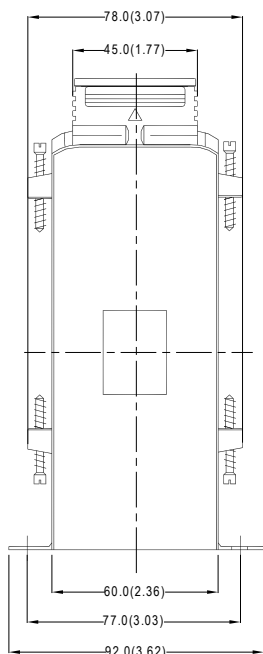
Primary current A	Burden VA	Accuracy class
800	* 15 *	1
1000	* 15 *	1
1200	* 30 *	1
1500	* 45 *	1
1600	15	0,5
2000	15	1
2500	10	1
	15	0,5
	15	1
	* 30 *	0,5
3000	* 30 *	1
	15	1
	30	1

## -/1 amp secondary

Primary current A	Burden VA	Accuracy class
2000	* 30 *	1
2500	* 10 *	1
3000	15	1

Primary conductor	2 × 100 × 10mm 3 × 80 × 10mm
Round conductor	Ø 85mm
Weight	0.500-0.800kg (1.10-1.76lbs)
Security factor	750A-1,500A = FS 5 1,600A-3,000A = FS 10
DIN rail mounting	Not available
Sealed shutter	Type: 59040 (x2)

\* In stock



## -/5 amp secondary

Primary current A	Burden VA	Accuracy class
1000	* 5 *	0,2S
1200	* 5 *	0,2S
1500	* 5 *	0,2S
	5	1
2000	5	0,5
	5	0,2S
	* 10 *	0,2S
2500	* 10 *	0,2S
	* 10 *	0,5
	10	1
3000	15	1
	5	0,2S
	* 10 *	0,2S
	10	1
	15	0,5
	* 30 *	0,5
	45	1

## -/1 amp secondary

Primary current A	Burden VA	Accuracy class
2000	10	1
	15	1
2500	15	1
3000	15	0,5

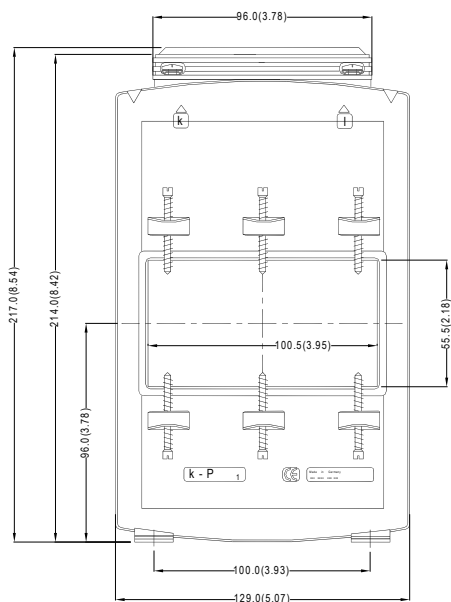
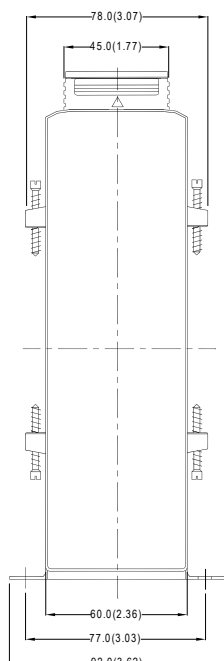
Primary conductor	100 × 55mm
Round conductor	Ø 55mm
Weight	0.800-1.580kg (1.76-3.48lbs)
Security factor	600A-1,500A = FS 5 1,600A-3,000A = FS 10
DIN rail mounting	Not available
Sealed shutter	Type: 59042

\* In stock



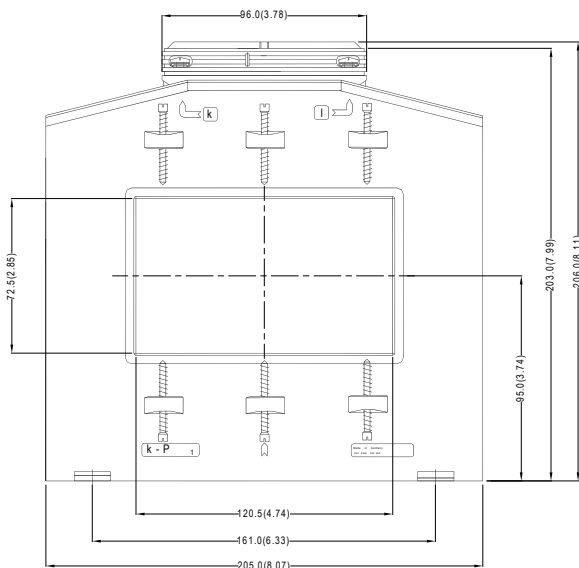
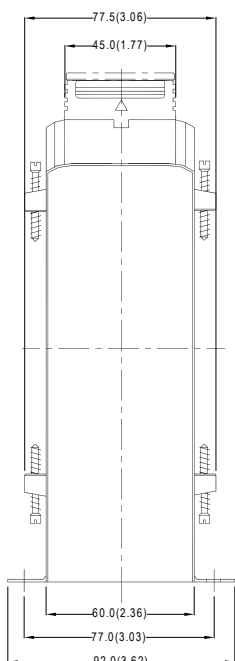
## -/5 amp secondary

Primary current A	Burden VA	Accuracy class
2500	45	1



Primary conductor	100 × 55mm
Round conductor	Ø 55mm
Weight	0.800-2.2200kg (1.76-4.89lbs)
Security factor	FS 10
DIN rail mounting	Not available
Sealed shutter	Type: 59042

\* In stock



## -/5 amp secondary

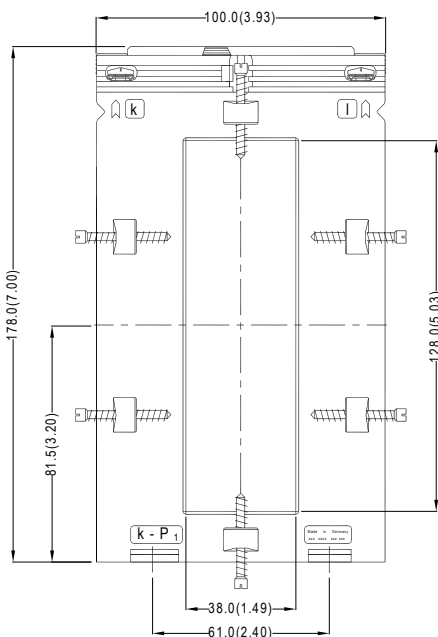
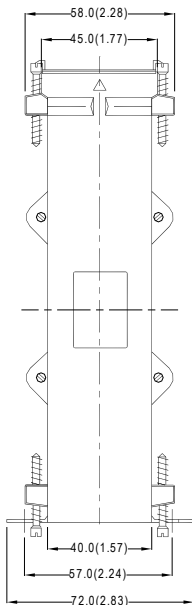
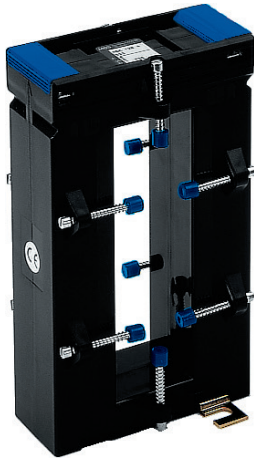
Primary current A	Burden VA	Accuracy class
1250	* 5 *	0,5
4000	15	0,5
	15	1
	30	0,5
	* 45 *	1
5000	15	1
	30	0,5
	* 45 *	1

## -/1 amp secondary

Primary current A	Burden VA	Accuracy class

Primary conductor	120 × 70mm
Round conductor	Ø 70mm
Weight	0.750-5.040kg (1.65-11.11lbs)
Security factor	1,000A-1,500A = FS 5 1,600A-6,000A = FS 10
DIN rail mounting	Not available
Sealed shutter	Type: 59042

\* In stock



## -/5 amp secondary

Primary current A	Burden VA	Accuracy class
2500	15	0,5
	30	1
	30 TRV	1

## -/1 amp secondary

Primary current A	Burden VA	Accuracy class
2000	15	1

Primary conductor	128 × 38mm
Round conductor	Ø 38mm
Weight	0.500-1.100kg (1.10-2.43lbs)
Security factor	400A-1,500A = FS 5 1,600A-2,500A = FS 10
DIN rail mounting	Not available
Sealed shutter	Type: 59042

\* In stock

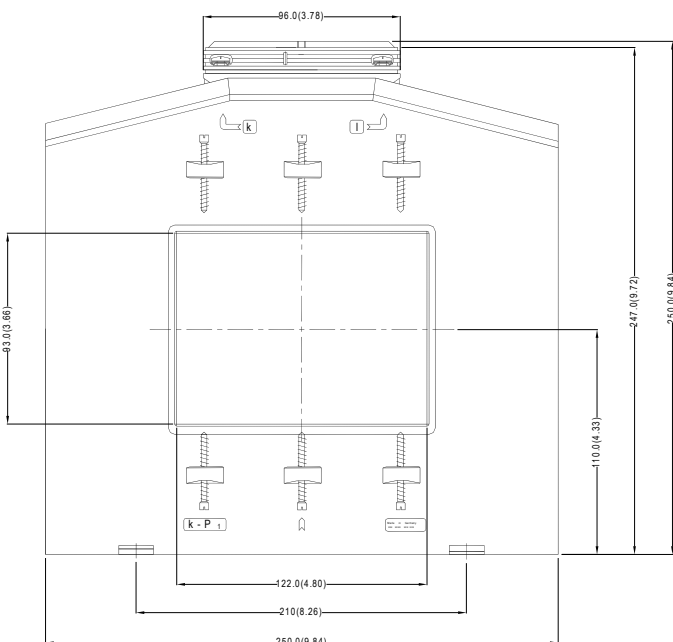
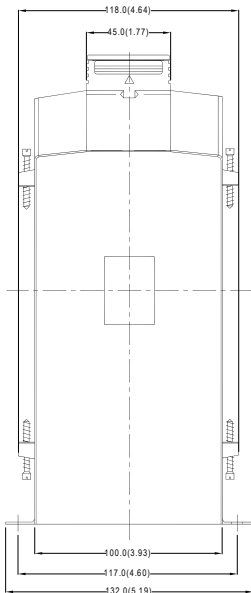


## -/5 amp secondary

Primary current A	Burden VA	Accuracy class
6000	15	1
7500	15	1
	45	1

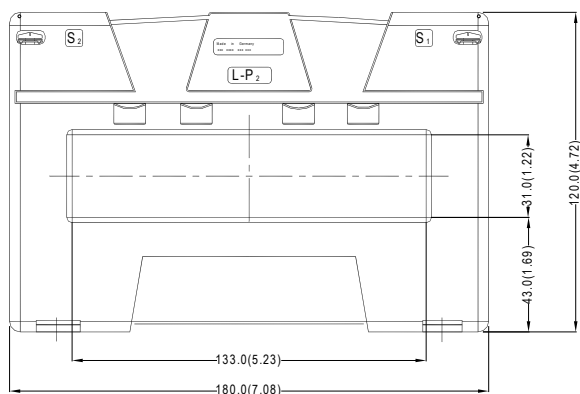
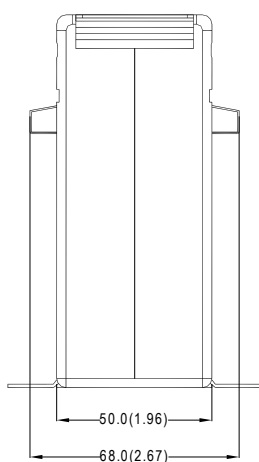
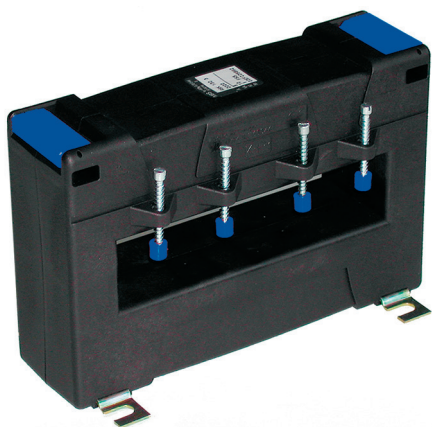
## -/1 amp secondary

Primary current A	Burden VA	Accuracy class
6000	15	0,5



Primary conductor	120 × 90mm
Round conductor	Ø 90mm
Weight	0.800-5.040kg (1.76 –11.11lbs)
Security factor	1,000A-1,500A = FS 5 1,600A-7,500A = FS 10
DIN rail mounting	Not available
Sealed shutter	Type: 59042

\* In stock



## -/5 amp secondary

Primary current A	Burden VA	Accuracy class
2500	* 30 *	0,5
3200	10	1
	30	1

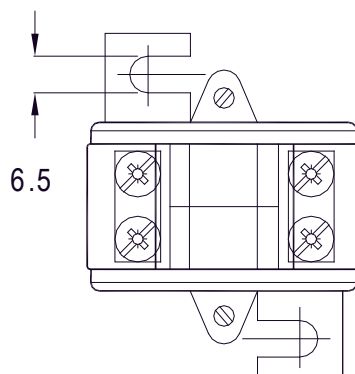
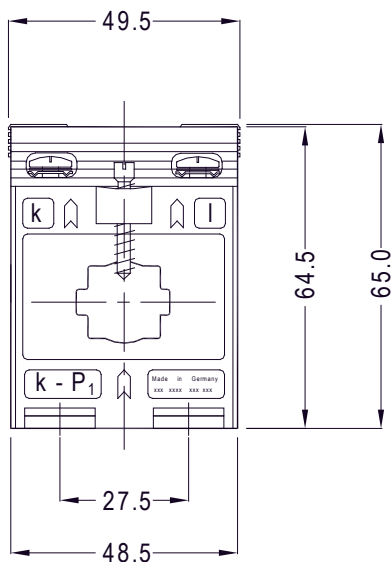
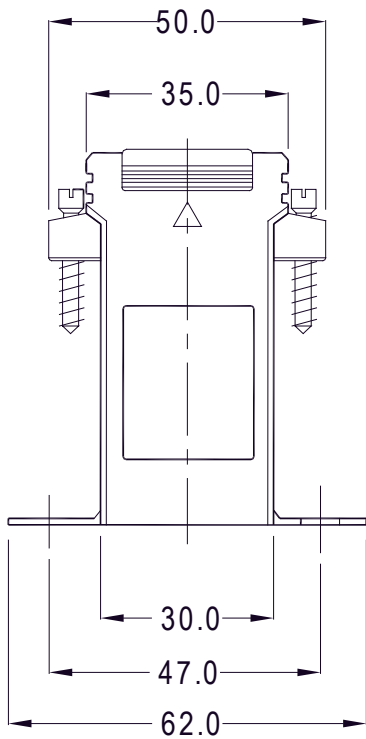
## -/1 amp secondary

Primary current A	Burden VA	Accuracy class
2000	30	1

Primary conductor	130 × 30mm
Round conductor	Ø 30mm
Weight	0.740-1.280kg (1.63-2.82lbs)
Security factor	300A-1,500A = FS 5 1,600A-3,200A = FS 10
DIN rail mounting	Not available
Sealed shutter	Not available



\* In stock



## -/5 amp secondary

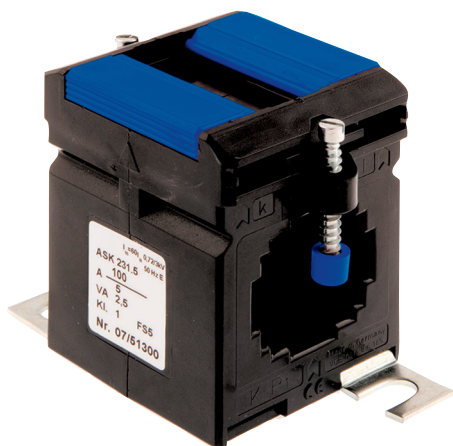
Primary current A	Burden VA	Accuracy class
200	1.5	1
	2.5	1
250	5	1
400	5	1

## -/1 amp secondary

Primary current A	Burden VA	Accuracy class

Primary conductor	20 × 5mm
Round conductor	Ø 17,5mm
Weight	0.180-0.370kg (0.40-0.82lbs)
Security factor	FS5
DIN rail mounting	Item number: 1213990006
Sealed shutter	Type: 55014

\* In stock

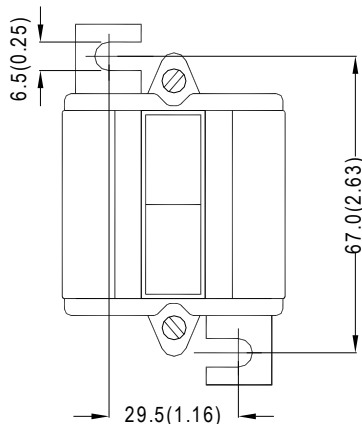
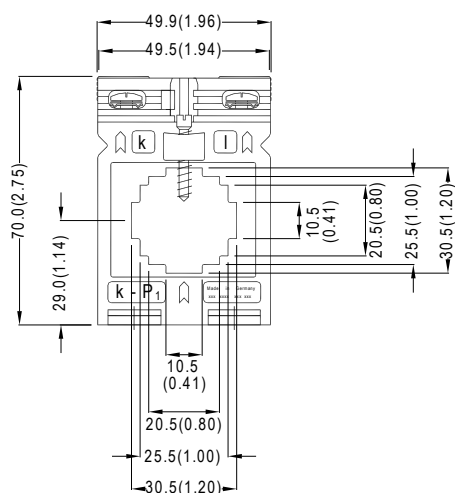
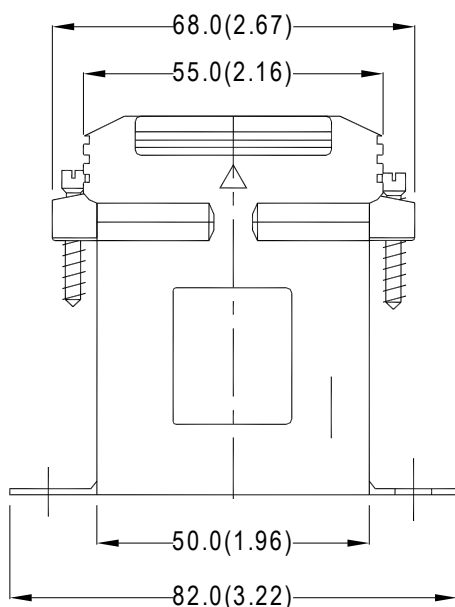


## -/5 amp secondary

Primary current A	Burden VA	Accuracy class
250	2.5	1
300	5	1
400	5	1
500	5	1

## -/1 amp secondary

Primary current A	Burden VA	Accuracy class



Primary conductor	30 × 10mm
Round conductor	Ø 28mm
Weight	0.190-1.000kg (0.42-2.20lbs)
Security factor	FS5
DIN rail mounting	Not available
Sealed shutter	Inclusive

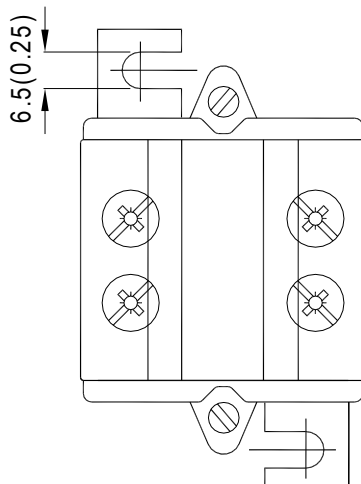
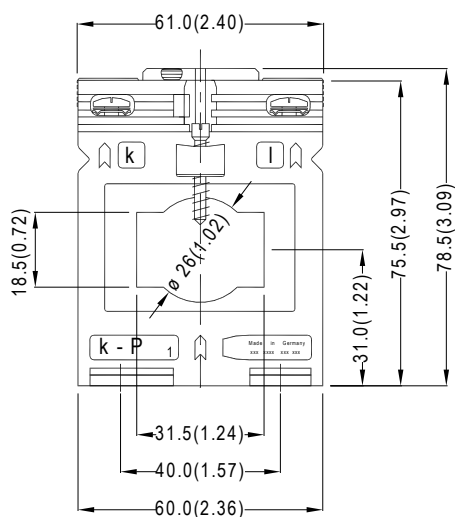
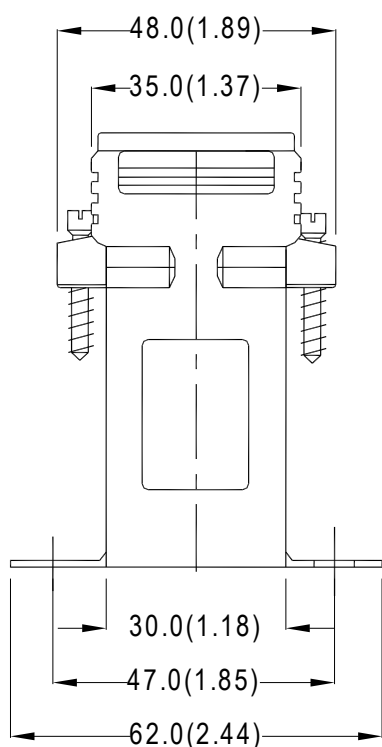


## -/5 amp secondary

Primary current A	Burden VA	Accuracy class
300	5	0,5
	5	1
500	10	1
600	10	1

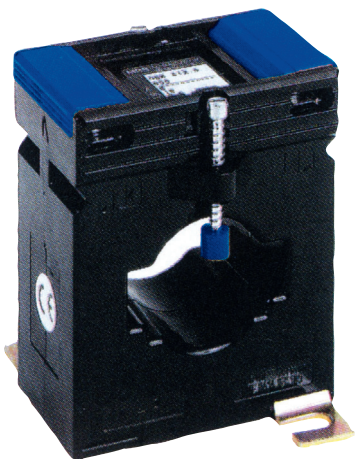
## -/1 amp secondary

Primary current A	Burden VA	Accuracy class



Primary conductor	31 × 18mm
Round conductor	Ø 26mm
Weight	0.220-0.350kg (0.49-0.77lbs)
Security factor	FS5
DIN rail mounting	Not available
Sealed shutter	Type: 59040

\* In stock

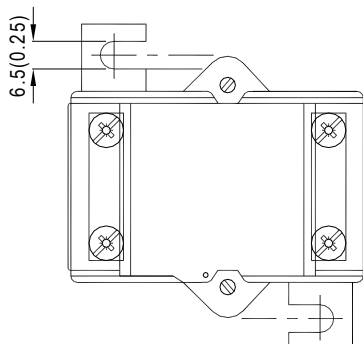
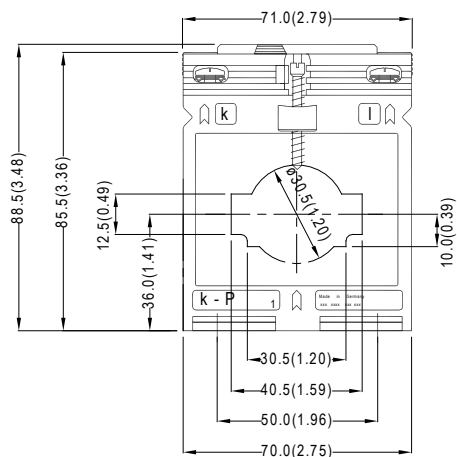
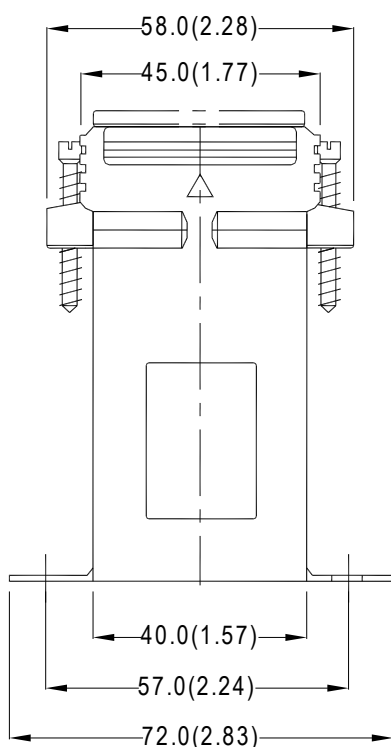


## -/5 amp secondary

Primary current A	Burden VA	Accuracy class
50	* 1.5 *	1
300	2.5	1
600	2.5	1
	10	0,5
800	15	1

## -/1 amp secondary

Primary current A	Burden VA	Accuracy class
600	10	0,5



Primary conductor	40 × 12mm 30 × 15mm
Round conductor	Ø 30,5mm
Weight	0.250-0.510kg (0.55-1.12lbs)
Security factor	FS5
DIN rail mounting	Item number: 1213990004
Sealed shutter	Type: 59041

\* In stock

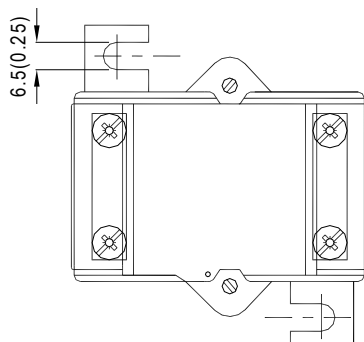
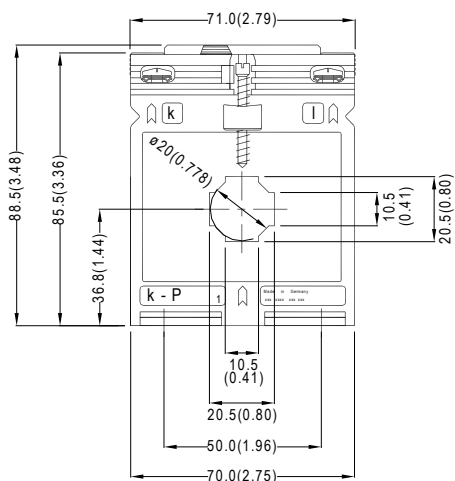
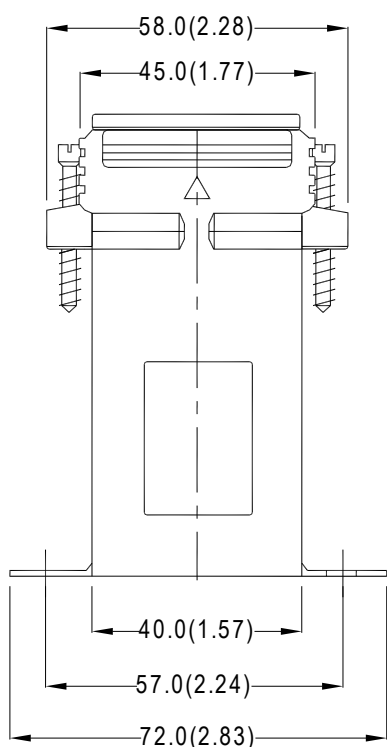


## -/5 amp secondary

Primary current A	Burden VA	Accuracy class
125	5	1

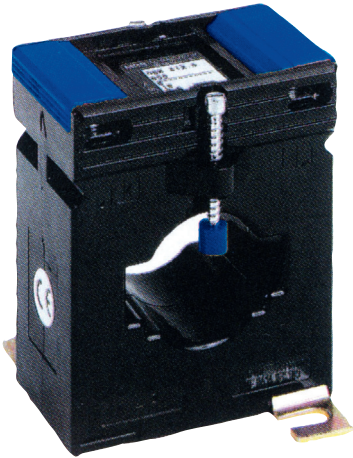
## -/1 amp secondary

Primary current A	Burden VA	Accuracy class



Primary conductor	20 × 10mm
Round conductor	∅ 20mm
Weight	0.290-1.000kg (0.64-2.20lbs)
Security factor	FS5
DIN rail mounting	Not available
Sealed shutter	Type: 59041

\* In stock

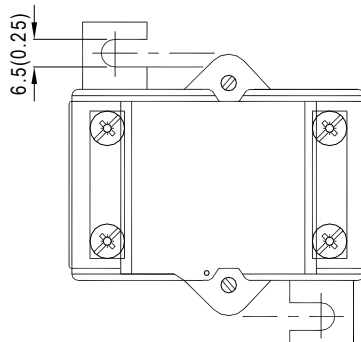
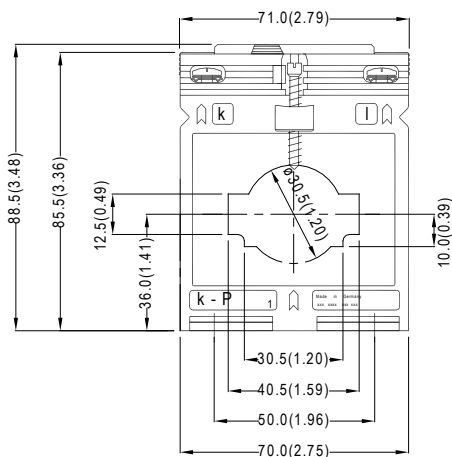
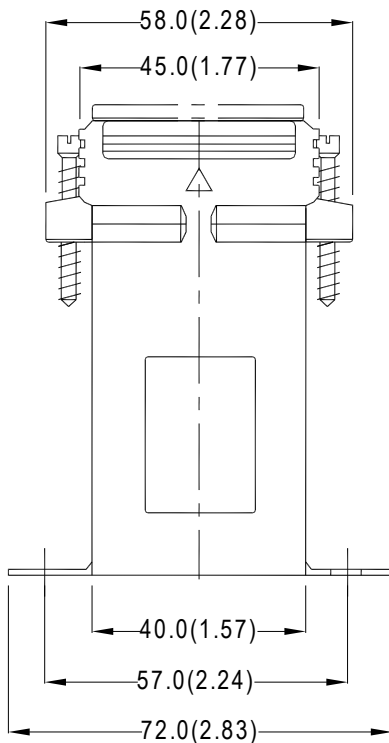


## -/5 amp secondary

Primary current A	Burden VA	Accuracy class
80	2.5	0,5
100	2.5	0,5
	5	1
125	2.5	0,5
	5	1
150	2.5	1
200	2.5	0,5
	5	0,5
	5	1
500	30	1
1000	* 30 *	1

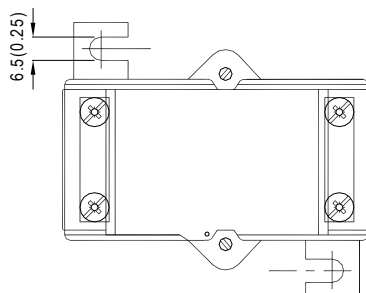
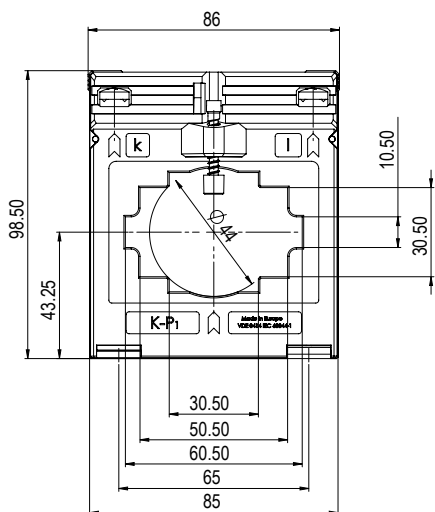
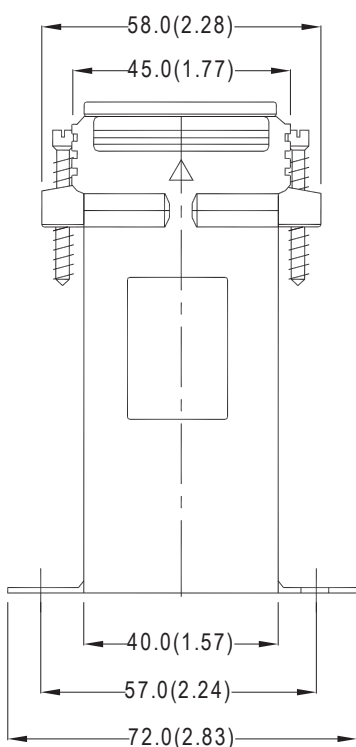
## -/1 amp secondary

Primary current A	Burden VA	Accuracy class



Primary conductor	30 × 10mm 2 × 30 × 5mm
Round conductor	Ø 32mm
Weight	0.270-1.000kg (0.60-2.20lbs)
Security factor	FS5
DIN rail mounting	Not available
Sealed shutter	Type: 59042

\* In stock



## -/5 amp secondary

Primary current A	Burden VA	Accuracy class
300	5	1
400	10	1
500	* 5 *	0,5
750	10	1
800	* 10 *	0,5
	10	1
1000	10	1
	30	1
1200	10	1
1250	10	1
	15	1

## -/1 amp secondary

Primary current A	Burden VA	Accuracy class
400	2.5	0,5
	10	1
500	2.5	0,5
800	15	0,5
1000	15	0,5
1250	5	0,5

Primary conductor	60 × 10mm 2 × 50 × 10mm
Round conductor	Ø 44mm
Weight	0.300-0.660kg (0.66-1.46lbs)
Security factor	FS5
DIN rail mounting	Not available
Sealed shutter	Type: 59042

## Test certificate

On request, we can provide you with a test certificate for a specific current transformer along with the CT. Please inform us when placing your order.

## Sealed shutter

On request, we can supply a transparent plastic cover. The cover seals the connections on the CT in a way that leaves the type label visible. Please check availability on each individual data sheet.



## Excitation curve

On request, we can provide you with an excitation curve for a specific current transformer along with the CT. Please inform us when placing your order.

## Optional frequency

Frequency range for a standard CT is 50-60Hz. Please contact us for special version from 16 2/3 – 400Hz. Please inform us when placing your order.

## Cast resin

Cast resin is standard for all CT's with a nominal current  $>4,000A$ . On request, all CT's with a nominal current  $<4,000A$  can be produced with cast resin. Please inform us when placing your order. The min. and max. weight specification for each type refers to standard versions. The specification is different if cast resin is ordered for CT's  $<4,000A$ .

## Mounting

Foot angle for screw mounting and busbar mounting screws with isolating protection caps are supplied along with the CT. DIN-rail mounting for tubes, plug-ins and protection transformers is available on request for certain CT types. Please check availability on each individual data sheet.

